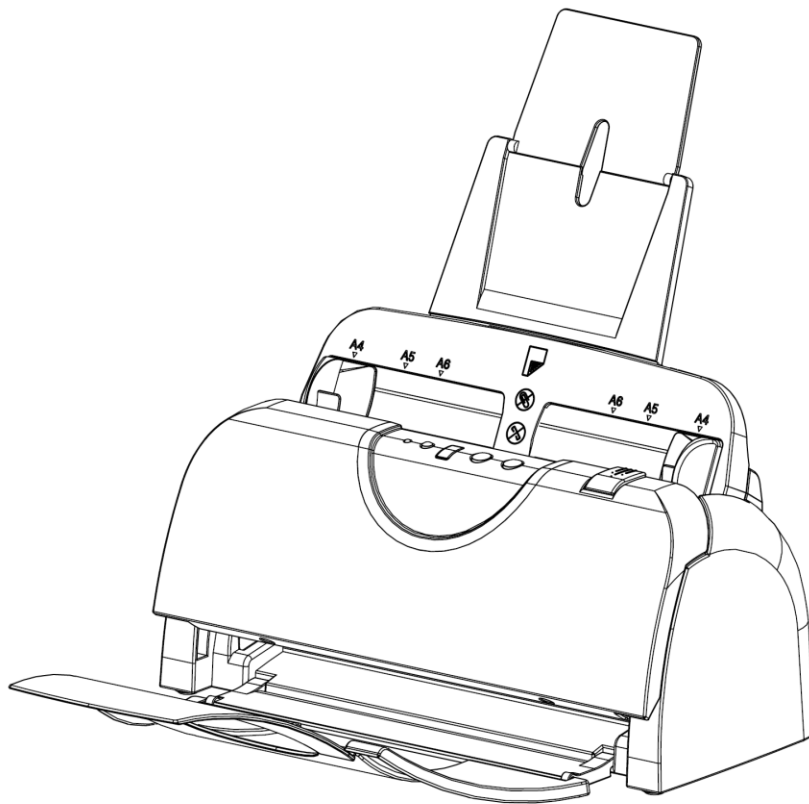


Vina BulletScan™ **S400**

Quick Installation Guide



Duplex Color Document Scanner

Copyright

All rights reserved. No part of this publication may be reproduced, transmitted, transcribed, stored in a retrieval system, or translated into any language or computer language, in any form or by any means, electronic, mechanical, magnetic, optical, chemical, manual, or otherwise, without the prior written permission of iVina Inc.

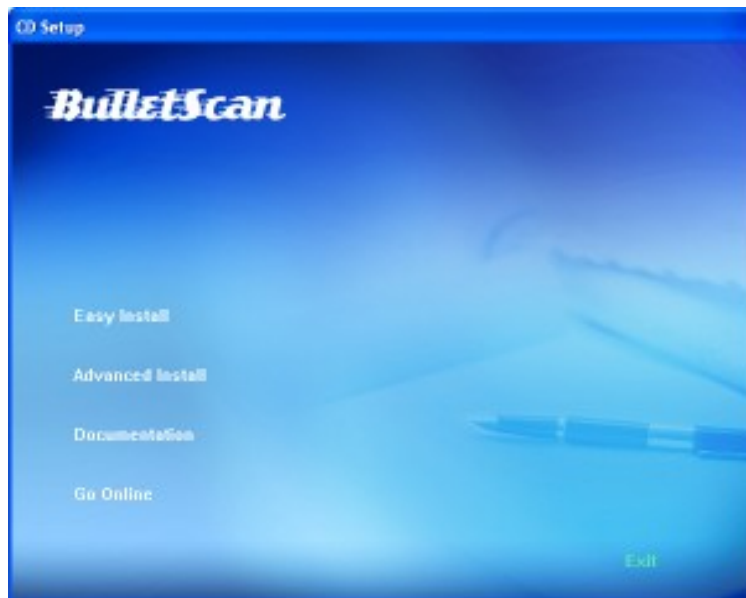
Material scanned by this product may be protected by governmental laws and other regulations, such as copyright laws, the customer is solely responsible for complying with all such laws and regulations.

Software Installation

Make sure no other programs or applications are running when installing the scanner software.

Insert the scanner software CD into your computer's CD drive.

The software installation menu should launch, asking you for which type of installation to perform.



Select "**Easy Install**" from the menu to have all of the standard software **installed automatically** for you.

If you're using Windows Vista with User Access Control enabled, you may see a window pop up. Click the "Allow" option.

When your computer finishes installing the software and driver, you can then connect and power on your scanner (see next page).

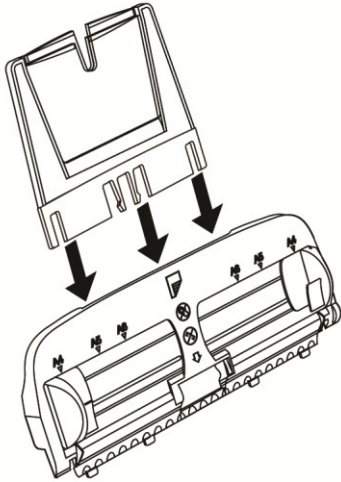
If the installation menu doesn't open automatically, you'll need to open "My Computer" (on Windows XP) or "Computer" (on Windows Vista/7). From there double-click the "ScannerDrivers" icon and the menu should open.

If you do not have a drive that can read CD-ROM discs, the driver for your scanner is available at www.bulletscan.com

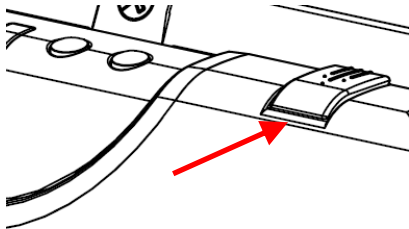
The additional software provided with your scanner is only licensed for distribution via CD, and is only licensed for the computer that the BulletScan scanner is attached to.

Assembling the Scanner

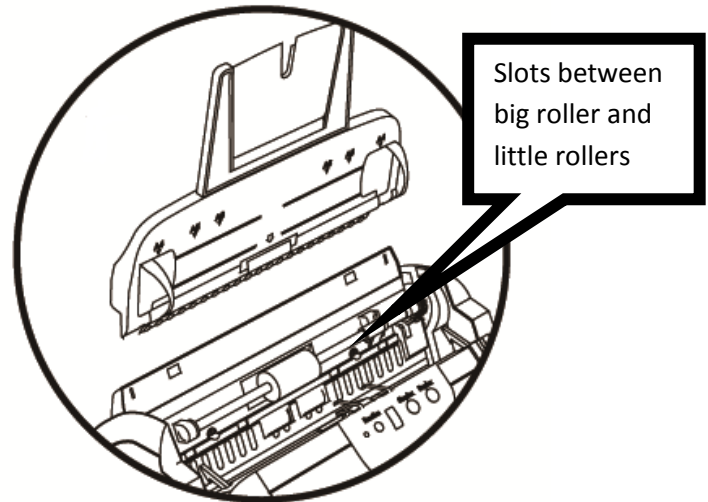
1. Attach the extension to the Input tray



2. Open the scanner by pulling the release latch on the right hand side

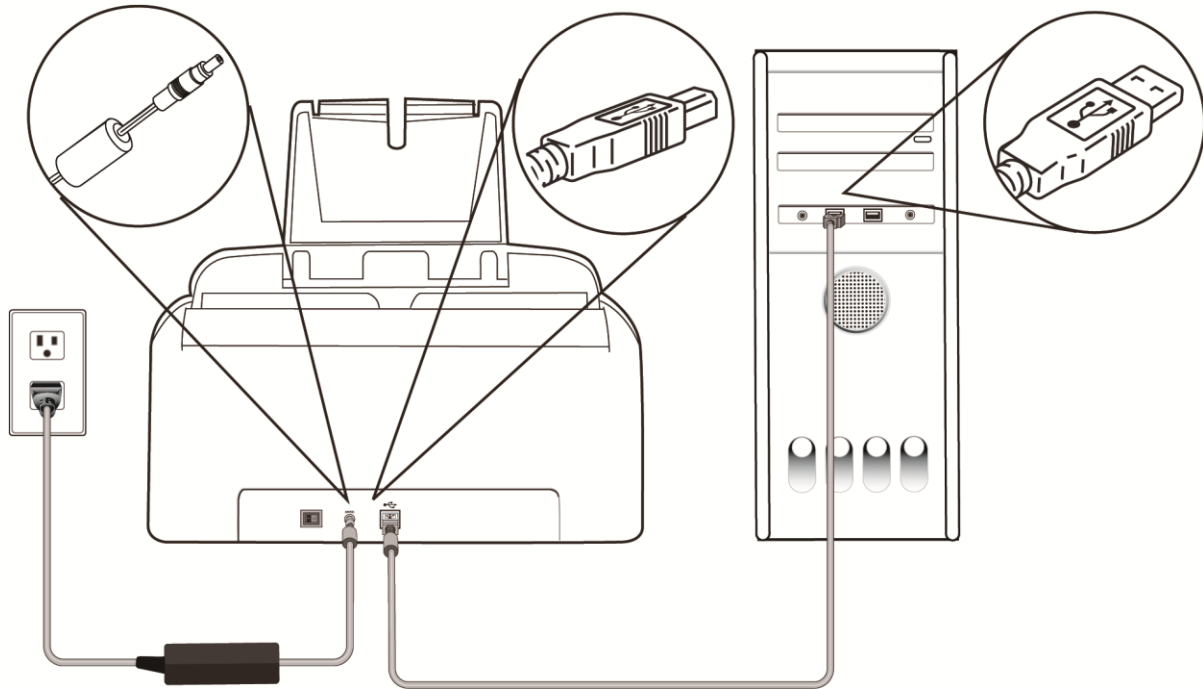


3. Insert the Input tray into the open scanner, making sure all of the tabs across the bottom are seated in the slots. Once it's inserted, gently tilt the tray back and it will snap it back into place.

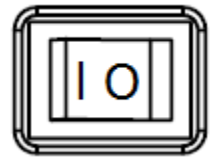


4. Close the front of the scanner
5. Attach the output tray by inserting it into the front of the scanner. The tabs on the end of the output tray should hold gently onto the scanner.

6. Connecting the scanner to your computer



Power on your scanner by flipping the switch on the back to the on position. Windows will detect the hardware and finish installing the driver for your scanner.



Starting Scanning:

- Insert a stack of documents into the scanner
- Pick the desired profile number on the scanner
- Press the Scan Button
- Congratulations, you're now scanning

Tips

When scanning, be sure to remove all staples, paperclips, etc from your paper before scanning as it will scratch the glass and damage the guides.

Before loading paper into the scanner, fanning the documents first will improve feeding and page separation. Simply flip through the pages like flipping through a book.

For the latest information regarding your scanner, including software updates and tutorial videos, go to our website www.BulletScan.com

If you've just set up your scanner as directed and are having any problems with your computer seeing your scanner, try the following - Power off the scanner. Unplug the USB cable from the computer and plug it into a different USB port. Shut down and power up your computer. Power the scanner back on. If you still can't scan, contact us at www.BulletScan.com

If your scanner works, but appears to generate an error when scanning completes, make sure the Input Tray is properly seated. Try pushing the input tray gently towards the back. If it clicks into place, you're set to continue scanning.

Warranty

The information contained in this document is subject to change without notice.

iVina makes no warranty of any kind with regard to this material, including, but not limited to, the implied warranties of fitness for a particular purpose.

iVina shall not be liable for errors contained herein or for incidental or consequential damages in connection with the furnishing, performance, or use of this material.

Trademarks

Microsoft is a registered trademark of Microsoft Corporation.

Windows and Vista are trademarks of Microsoft Corporation.

ENERGY STAR is a U.S. registered mark.

Other brands and product names herein are trademarks or registered trademarks of their respective holders.